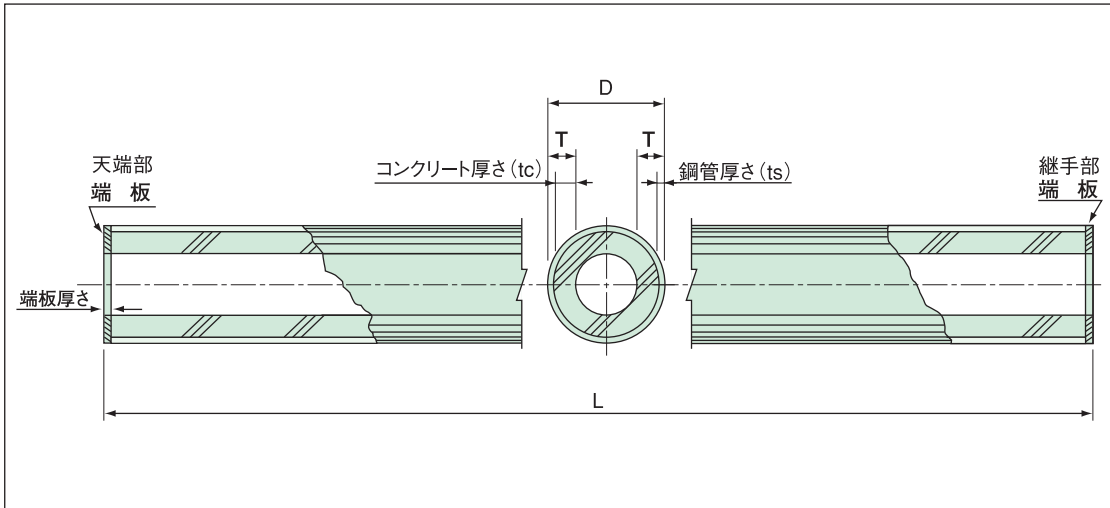


SC-ONA105・Hi-sc105

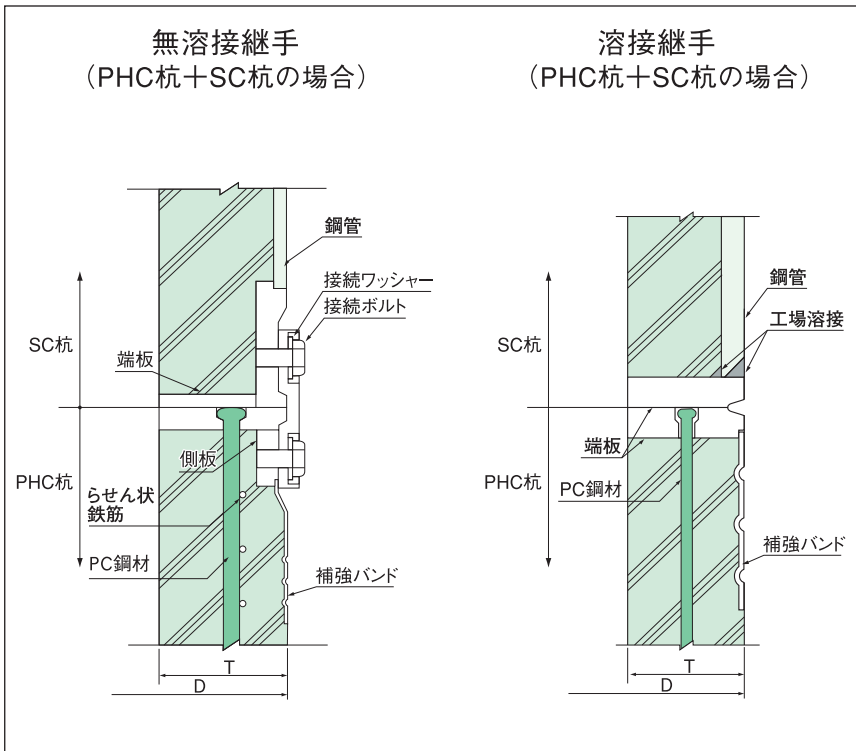
SC 105

外殻鋼管の内側に設計基準強度 $F=105\text{N/mm}^2$ のコンクリートを遠心締固めによりライニングしたパイプです。
鋼管材質をSKK400相当としたパイプがSC-ONA105、SKK490相当としたパイプがHi-SC105で、杭の厚さはJISで規定された厚さの“Ⅰ”と弊社規定の“Ⅱ”があります。

標準構造図



継手構造図



コンクリートの設計用数値

名称		SC-ONA105 Hi-SC105		
設計基準強度	N/mm ²	105		
曲げ引張強度	N/mm ²	7.5		
終局圧縮ひずみ	μ	0.0050×10^6		
ヤング係数	N/mm ²	40000		
許容応力度	長期	曲げ圧縮	N/mm ²	30
		曲げ引張	N/mm ²	—
		斜引張	N/mm ²	—
	短期	曲げ圧縮	N/mm ²	60
		曲げ引張	N/mm ²	—
		斜引張	N/mm ²	—

鋼材の設計用数値

鋼材		鋼管			
		SKK400相当	SKK490相当		
降伏強度	N/mm ²	235	325		
引張強度	N/mm ²	400	490		
ヤング係数	N/mm ²	2.05×10^5			
許容応力度	長期	引張	N/mm ²	157	217
		圧縮	N/mm ²	157	217
	短期	引張	N/mm ²	235	325
		圧縮	N/mm ²	235	325

SC-ONA105パイプ、Hi-SC105パイプ 標準性能表(1)

外径 D (mm)	厚さ		鋼管厚 ts (mm)	断面積			換算断面 二次モーメント Ie × 10 ⁶ (mm ⁴)	換算断面 係数 Ze × 10 ³ (mm ³)	設計曲げモーメント (N=0)						
	T (含鋼材) (mm)	区分		鋼管 As × 10 ² (mm ²)	コンクリート Ac × 10 ² (mm ²)	換算 Ae × 10 ² (mm ²)			短期許容		破壊				
									SC-ONA105 (SKK400相当)	Hi-SC105 (SKK490相当)	SC-ONA105 (SKK400相当)	Hi-SC105 (SKK490相当)			
318.5	60	I	4.5	34.42	443	619	590.3	3,730	71	98	112	152			
			5.0	39.27	438	639	614.2	3,881	80	110	126	171			
			6.0	48.93	428	679	661.3	4,179	98	135	154	209			
			7.0	58.53	419	719	707.5	4,471	115	159	181	245			
			8.0	68.06	409	758	752.8	4,757	133	183	208	280			
			9.0	77.53	400	797	797.1	5,037	150	207	233	314			
355.6	60	I	4.5	38.50	508	705	859.5	4,861	89	123	141	191			
			5.0	43.93	502	727	893.1	5,051	100	139	159	216			
			6.0	54.76	491	772	959.4	5,426	123	170	195	264			
			7.0	65.52	481	817	1,025	5,798	145	201	229	310			
			8.0	76.22	470	861	1,089	6,160	167	231	263	354			
			9.0	86.86	459	904	1,151	6,510	189	261	295	398			
	65	II	4.5	38.50	544	741	883.5	4,997	89	123	141	191			
			5.0	43.93	538	763	917.1	5,187	100	139	159	216			
			6.0	54.76	528	809	983.4	5,562	123	170	195	264			
			7.0	65.52	517	853	1,049	5,933	145	201	229	310			
			8.0	76.22	506	897	1,113	6,295	167	231	263	355			
			9.0	86.86	495	940	1,175	6,646	189	261	295	398			
400	65	I	4.5	43.38	628	850	1,319	6,628	114	157	180	245			
			5.0	49.51	622	876	1,367	6,869	129	178	204	276			
			6.0	61.73	610	926	1,463	7,352	158	218	250	338			
			7.0	73.89	598	977	1,557	7,824	186	257	294	398			
			8.0	85.99	586	1,027	1,649	8,286	214	296	338	456			
			9.0	98.02	574	1,076	1,740	8,744	242	334	380	512			
			10.0	109.99	562	1,126	1,830	9,196	269	372	421	566			
			11.0	121.89	550	1,175	1,917	9,633	296	409	461	619			
			12.0	133.74	538	1,223	2,005	10,080	322	446	500	671			
			75	II	4.5	43.38	710	932	1,388	6,975	114	157	180	245	
					5.0	49.51	704	958	1,436	7,216	129	178	204	276	
					6.0	61.73	691	1,007	1,532	7,698	158	218	250	338	
	7.0	73.89			679	1,058	1,626	8,171	186	257	294	398			
	8.0	85.99			667	1,108	1,718	8,633	214	296	338	456			
	9.0	98.02			655	1,157	1,809	9,090	242	334	380	512			
	10.0	109.99			643	1,207	1,899	9,543	269	372	421	567			
	11.0	121.89			631	1,256	1,987	9,985	296	409	461	621			
	12.0	133.74			619	1,304	2,074	10,420	322	446	500	673			
	450	70			I	4.5	48.88	773	1,024	2,022	9,027	146	201	230	313
						5.0	55.79	766	1,052	2,091	9,335	165	227	261	354
						6.0	69.59	752	1,109	2,228	9,946	202	279	320	433
			7.0	83.32		738	1,165	2,363	10,550	238	330	378	511		
			8.0	96.98		725	1,222	2,497	11,150	274	379	434	586		
			9.0	110.58		711	1,278	2,628	11,730	309	428	488	659		
10.0			124.12	697		1,333	2,758	12,310	344	477	542	729			
11.0			137.60	684		1,389	2,886	12,880	379	524	594	798			
12.0			151.02	671		1,445	3,012	13,450	413	571	644	865			
80			II	4.5		48.88	867	1,118	2,128	9,500	146	251	230	313	
				5.0		55.79	860	1,146	2,197	9,808	164	284	261	354	
				6.0		69.59	846	1,203	2,334	10,420	202	279	320	433	
		7.0		83.32	832	1,259	2,469	11,020	238	330	378	511			
		8.0		96.98	819	1,316	2,603	11,620	274	379	434	586			
		9.0		110.58	805	1,372	2,734	12,210	310	428	488	659			
		10.0		124.12	792	1,428	2,864	12,790	345	477	542	730			
		11.0		137.60	778	1,483	2,992	13,360	379	524	594	800			
		12.0		151.02	765	1,539	3,118	13,920	413	571	645	868			
		500		80	I	4.5	54.37	986	1,265	3,049	12,240	181	251	287	390
						5.0	62.08	978	1,296	3,144	12,630	205	284	325	441
						6.0	77.44	962	1,359	3,334	13,390	252	348	399	541
7.0			92.74			947	1,422	3,521	14,140	297	411	471	638		
8.0			107.98			932	1,485	3,706	14,880	342	473	542	733		
9.0			123.15			917	1,548	3,888	15,610	386	534	611	825		
10.0	138.26		902			1,611	4,068	16,340	430	594	678	914			
11.0	153.31		887			1,673	4,246	17,050	473	654	744	1,002			
12.0	168.30		872			1,735	4,422	17,760	515	713	808	1,087			
13.0	183.22		857			1,796	4,596	18,460	558	771	871	1,171			
14.0	198.08		842			1,857	4,767	19,140	599	829	933	1,256			
15.0	212.87		827			1,918	4,936	19,830	641	886	993	1,332			
16.0	227.61		812	1,979	5,104	20,500	682	943	1,052	1,409					
100	II		4.5	54.37	1,187	1,466	3,308	13,290	181	251	287	390			
			5.0	62.08	1,179	1,497	3,403	13,670	205	283	325	441			
			6.0	77.44	1,164	1,561	3,593	14,430	251	348	399	541			
			7.0	92.74	1,148	1,623	3,780	15,180	297	411	471	638			
			8.0	107.98	1,133	1,686	3,965	15,920	342	473	542	732			
			9.0	123.15	1,118	1,749	4,147	16,650	386	534	610	825			
			10.0	138.26	1,103	1,812	4,327	17,380	430	594	678	915			
			11.0	153.31	1,088	1,874	4,505	18,090	473	654	744	1,003			
			12.0	168.30	1,073	1,936	4,681	18,800	516	713	808	1,089			
			13.0	183.22	1,058	1,997	4,855	19,500	558	771	871	1,174			
			14.0	198.08	1,043	2,058	5,026	20,180	600	829	933	1,256			
		15.0	212.87	1,028	2,119	5,196	20,870	641	887	994	1,338				
16.0	227.61	1,013	2,180	5,363	21,540	682	943	1,054	1,417						
90	I	4.5	65.37	1,358	1,693	5,941	19,870	265.5	367	418	570				
		5.0	74.64	1,349	1,732	6,108	20,430	300.3	415	474	645				
		6.0	93.15	1,330	1,807	6,439	21,540	368.5	510	584	792				
		7.0	111.59	1,312	1,884	6,767	22,630	435.4	602	690	936				
		8.0	129.97	1,293	1,959	7,091	23,720	501.2	693	795	1,076				
		9.0	148.28	1,275	2,035	7,412	24,790	566	783	897	1,214				
		10.0	166.54	1,257	2,111	7,730	25,850	630	871	997	1,348				
		11.0	184.73	1,238	2,185	8,044	26,900	693.3	959	1,096	1,479				
		12.0	202.85	1,220	2,260	8,355	27,940	755.9	1,045	1,192	1,607				
		13.0	220.92	1,202	2,334	8,663	28,970	817.9	1,131	1,287	1,732				
		14.0	238.92	1,184	2,408	8,968	30,000	879.3	1,216	1,379	1,855				
		15.0	256.86	1,166	2,482	9,270	31,000	940.2	1,300	1,470	1,975				
16.0	274.73	1,148	2,556	9,568	32,000	1,000	1,384	1,560	2,092						
600	II	4.5	65.37	1,609	1,944	6,445	21,560	266	367	418	570				
		5.0	74.64	1,600	1,983	6,612	22,110	300	415	474.3	645				
		6.0	93.15	1,581	2,058	6,943	23,220	362	509	584	792				
		7.0	111.59	1,563	2,135	7,271	24,320	435	602	690	936				
		8.0	129.97	1,545	2,211	7,595	25,400	501	693	795	1,076				
		9.0	148.28	1,526	2,286	7,916	26,470	566	783	897	1,213				
		10.0	166.54	1,508	2,362	8,234	27,540	630	872	997	1,348				
		11.0	184.73	1,490	2,437	8,548	28,590	693	959	1,096	1,479				
		12.0	202.85	1,472	2,512	8,859	29,630	756	1,046	1,192	1,609				
		13.0	220.92	1,454	2,586	9,167	30,660	818	1,132	1,287	1,735				
		14.0	238.92	1,436	2,660	9,472	31,690	879	1,217	1,379	1,860				
		15.0	256.86	1,418	2,734	9,774	32,690	940	1,302	1,470	1,982				
16.0	274.73	1,400	2,808	10,072	33,680	1,001	1,385	1,560	2,102						

(注) 長さは5~15mである。外径、厚さ、鋼管厚以外の数値は、腐食代1mmを考慮した値。

SC-ONA105パイプ、Hi-SC105パイプ 標準性能表(2)

外径 D (mm)	厚さ		鋼管厚 ts (mm)	断面積			換算断面 二次モーメント Ie × 10 ⁶ (mm ⁴)	換算断面 係数 Ze × 10 ³ (mm ³)	設計曲げモーメント (N=0)				
	T (含鋼材) (mm)	区分		鋼管 As × 10 ² (mm ²)	コンクリート Ac × 10 ² (mm ²)	換算 Ae × 10 ² (mm ²)			短期許容		破壊		
									SC-ONA105 (SKK400相当)	Hi-SC105 (SKK490相当)	SC-ONA105 (SKK400相当)	Hi-SC105 (SKK490相当)	
700	100	I	6.0	108.86	1,754	2,312	11,280	32,320	508.5	703	804	1,093	
			7.0	130.44	1,733	2,402	11,800	33,810	601	831	952	1,293	
			8.0	151.96	1,711	2,490	12,330	35,330	692	957	1,098	1,488	
			9.0	173.42	1,690	2,579	12,840	36,790	782	1,081	1,240	1,680	
			10.0	194.81	1,668	2,666	13,350	38,250	870	1,203	1,380	1,867	
			11.0	216.14	1,647	2,755	13,860	39,710	958	1,324	1,517	2,051	
			12.0	237.41	1,626	2,843	14,360	41,150	1,044	1,444	1,653	2,231	
			13.0	258.62	1,604	2,929	14,860	42,580	1,130	1,563	1,786	2,408	
			14.0	279.76	1,583	3,017	15,350	43,980	1,215	1,680	1,916	2,581	
			15.0	300.84	1,562	3,104	15,840	45,390	1,299	1,797	2,045	2,750	
			16.0	321.86	1,541	3,191	16,330	46,790	1,383	1,913	2,171	2,917	
			17.0	342.81	1,520	3,277	16,810	48,170	1,466	2,028	2,295	3,080	
			18.0	363.70	1,499	3,363	17,290	49,540	1,549	2,142	2,417	3,240	
			19.0	384.53	1,478	3,449	17,760	50,890	1,630	2,255	2,536	3,397	
			6.0	108.86	2,056	2,614	12,150	34,810	508	703	804	1,093	
			7.0	130.44	2,034	2,703	12,670	36,300	601	831	952	1,293	
			8.0	151.96	2,013	2,792	13,200	37,820	692	957	1,098	1,488	
			9.0	173.42	1,991	2,880	13,710	39,280	782	1,081	1,240	1,679	
	10.0	194.81	1,970	2,968	14,220	40,740	871	1,204	1,380	1,867			
	11.0	216.14	1,948	3,056	14,730	42,210	958	1,326	1,517	2,051			
	12.0	237.41	1,927	3,144	15,230	43,640	1,045	1,446	1,652	2,232			
	13.0	258.62	1,906	3,231	15,730	45,070	1,131	1,565	1,785	2,411			
	14.0	279.76	1,885	3,319	16,220	46,480	1,217	1,683	1,917	2,586			
	15.0	300.84	1,864	3,406	16,710	47,880	1,301	1,799	2,046	2,758			
	16.0	321.86	1,843	3,493	17,200	49,280	1,385	1,915	2,173	2,927			
	17.0	342.81	1,822	3,579	17,680	50,660	1,468	2,031	2,298	3,094			
	18.0	363.70	1,801	3,665	18,160	52,030	1,551	2,145	2,421	3,257			
	19.0	384.53	1,780	3,751	18,630	53,380	1,633	2,258	2,543	3,418			
	800	110	I	6.0	124.56	2,235	2,873	18,390	46,090	672	929	1,050	1,442
				7.0	149.29	2,210	2,975	19,180	48,070	794	1,098	1,244	1,708
				8.0	173.95	2,185	3,076	19,960	50,030	915	1,265	1,434	1,968
				9.0	198.55	2,161	3,179	20,740	51,980	1,033	1,429	1,621	2,223
				10.0	223.08	2,136	3,279	21,510	53,910	1,150	1,591	1,804	2,473
				11.0	247.56	2,112	3,381	22,280	55,840	1,266	1,751	1,985	2,719
				12.0	271.97	2,087	3,481	23,040	57,740	1,381	1,910	2,162	2,961
				13.0	296.32	2,063	3,582	23,790	59,620	1,495	2,067	2,336	3,198
14.0				320.60	2,039	3,682	24,540	61,500	1,607	2,223	2,507	3,431	
15.0				344.82	2,015	3,782	25,280	63,360	1,719	2,378	2,675	3,659	
16.0				368.98	1,990	3,881	26,020	65,210	1,830	2,531	2,840	3,884	
17.0				393.08	1,966	3,981	26,750	67,040	1,940	2,683	3,002	4,104	
18.0				417.11	1,942	4,080	27,480	68,870	2,049	2,834	3,161	4,321	
19.0				441.08	1,918	4,179	28,190	70,650	2,158	2,985	3,317	4,534	
6.0				124.56	2,587	3,225	19,770	49,550	672	929	1,060	1,442	
7.0				149.29	2,562	3,327	20,560	51,530	794	1,099	1,257	1,708	
8.0				173.95	2,537	3,428	21,340	53,480	915	1,265	1,450	1,968	
9.0				198.55	2,513	3,531	22,120	55,440	1,034	1,430	1,640	2,223	
10.0		223.08	2,488	3,631	22,892	57,370	1,151	1,593	1,826	2,473			
11.0		247.56	2,464	3,733	23,660	59,300	1,268	1,753	2,009	2,719			
12.0		271.97	2,439	3,833	24,420	61,200	1,383	1,912	2,190	2,962			
13.0		296.32	2,415	3,934	25,170	63,080	1,497	2,070	2,368	3,200			
14.0		320.60	2,391	4,034	25,920	64,960	1,610	2,226	2,544	3,435			
15.0		344.82	2,366	4,133	26,662	66,820	1,722	2,381	2,717	3,666			
16.0		368.98	2,342	4,233	27,399	68,670	1,833	2,535	2,887	3,894			
17.0		393.08	2,318	4,333	28,130	70,500	1,943	2,688	3,056	4,118			
18.0		417.11	2,294	4,432	28,855	72,330	2,053	2,839	3,222	4,339			
19.0		441.08	2,270	4,531	29,574	74,110	2,162	2,990	3,386	4,556			
900		120	I	6.0	140.27	2,772	3,491	28,380	63,210	859	1,188	1,352	1,841
				7.0	168.14	2,744	3,606	29,510	65,720	1,015	1,404	1,604	2,181
				8.0	195.94	2,716	3,720	30,630	68,220	1,170	1,617	1,852	2,516
				9.0	223.68	2,689	3,835	31,750	70,710	1,321	1,828	2,096	2,844
				10.0	251.36	2,661	3,949	32,850	73,160	1,472	2,035	2,336	3,167
				11.0	278.97	2,633	4,063	33,950	75,610	1,620	2,240	2,572	3,484
				12.0	306.53	2,606	4,177	35,050	78,060	1,767	2,444	2,805	3,797
				13.0	334.01	2,578	4,290	36,130	80,470	1,912	2,645	3,035	4,104
	14.0			361.44	2,551	4,403	37,210	82,870	2,057	2,845	3,262	4,405	
	15.0			388.80	2,523	4,516	38,280	85,260	2,200	3,043	3,485	4,702	
	16.0			416.10	2,496	4,629	39,350	87,640	2,342	3,239	3,706	4,994	
	17.0			443.34	2,469	4,741	40,400	89,980	2,483	3,434	3,923	5,281	
	18.0			470.52	2,442	4,853	41,450	92,320	2,623	3,628	4,137	5,563	
	19.0			497.63	2,415	4,965	42,490	94,630	2,763	3,821	4,348	5,841	
	6.0			140.27	3,174	3,893	30,440	67,800	859	1,187	1,352	1,841	
	7.0			168.14	3,146	4,008	31,570	70,310	1,016	1,405	1,604	2,181	
	8.0			195.94	3,118	4,122	32,690	72,810	1,170	1,618	1,852	2,516	
	9.0			223.68	3,091	4,237	33,810	75,300	1,323	1,829	2,096	2,844	
	10.0	251.36	3,063	4,351	34,910	77,750	1,473	2,037	2,336	3,167			
	11.0	278.97	3,035	4,465	36,010	80,200	1,622	2,243	2,572	3,484			
	12.0	306.53	3,008	4,579	37,110	82,650	1,769	2,447	2,805	3,797			
	13.0	334.01	2,980	4,692	38,190	85,060	1,915	2,649	3,035	4,104			
	14.0	361.44	2,953	4,805	39,270	87,460	2,060	2,849	3,261	4,408			
	15.0	388.80	2,926	4,919	40,340	89,840	2,204	3,047	3,485	4,709			
	16.0	416.10	2,898	5,031	41,410	92,230	2,346	3,245	3,706	5,004			
	17.0	443.34	2,871	5,143	42,460	94,570	2,488	3,440	3,925	5,295			
	18.0	470.52	2,844	5,255	43,510	96,900	2,628	3,635	4,140	5,581			
	19.0	497.63	2,817	5,367	44,550	99,220	2,768	3,828	4,353	5,864			
	1000	130	I	6.0	155.98	3,366	4,165	41,910	83,990	1,069	1,479	1,680	2,289
				7.0	186.99	3,335	4,293	43,470	87,110	1,265	1,749	1,995	2,715
				8.0	217.93	3,304	4,421	45,010	90,200	1,457	2,015	2,304	3,133
				9.0	248.81	3,273	4,548	46,550	93,290	1,647	2,277	2,609	3,544
				10.0	279.63	3,242	4,675	48,080	96,350	1,834	2,536	2,909	3,948
				11.0	310.39	3,211	4,802	49,610	99,420	2,019	2,792	3,206	4,346
				12.0	341.08	3,181	4,929	51,120	102,400	2,202	3,046	3,498	4,739
				13.0	371.71	3,150	5,055	52,620	105,500	2,384	3,297	3,786	5,125
14.0				402.28	3,119	5,181	54,110	108,400	2,564	3,546	4,071	5,505	
15.0				432.79	3,089	5,307	55,590	111,400	2,743	3,793	4,352	5,879	
16.0				463.23	3,059	5,433	57,060	114,300	2,920	4,038	4,630	6,248	
17.0				493.61	3,028	5,558	58,530	117,300	3,096	4,282	4,904	6,611	
18.0				523.92	2,998	5,683	59,986	120,200	3,271	4,524	5,174	6,968	
19.0				554.18	2,968	5,808	61,430	123,100	3,445	4,765	5,441	7,320	
6.0				155.98	3,818	4,617	44,840	89,860	1,069	1,479	1,680	2,289	
7.0				186.99	3,787	4,745	46,400	92,990	1,265	1,750	1,995	2,715	
8.0				217.93	3,756	4,873	47,940	96,070	1,458	2,016	2,304	3,133	
9.0				248.81	3,725	5,000	49,480	99,160	1,648	2,279	2,609	3,543	
10.0		279.63	3,695	5,128	51,010	102,200	1,836	2,539	2,909	3,948			
11.0		310.39	3,664	5,255	52,540	105,300	2,021	2,795	3,206	4,346			
12.0		341.08	3,633	5,381	54,050	108,300	2,205	3,050	3,498	4,738			
13.0		371.71	3,602	5,507	55,550	111,300	2,387	3,302	3,786	5,126			
14.0		402.28	3,572	5,634	57,040	114,300	2,568	3,551	4,071	5,508			
15.0		432.79	3,541	5,759	58,520	117,300	2,747	3,799	4,352	5,885			
16.0		463.23	3,511	5,885	59,995	120,200	2,925	4,045	4,630	6,257			
17.0		493.61	3,481	6,011	61,460	123,200	3,102	4,290	4,905				

SC-ONA105パイプ、Hi-SC105パイプ 標準性能表(3)

外径 D (mm)	厚さ		鋼管厚 ts (mm)	断面積			換算断面 二次モーメント Ie × 10 ⁶ (mm ⁴)	換算断面 係数 Ze × 10 ³ (mm ³)	設計曲げモーメント (N=0)						
	T (含鋼材) (mm)	区分		鋼管 As × 10 ² (mm ²)	コンクリート Ac × 10 ² (mm ²)	換算 Ae × 10 ² (mm ²)			短期許容		破壊				
									SC-ONA105 (SKK400相当)	Hi-SC105 (SKK490相当)	SC-ONA105 (SKK400相当)	Hi-SC105 (SKK490相当)			
1,100	140	I	6.0	171.69	4,016	4,896	59,730	108,800	1,304	1,803	2,044	2,787			
			7.0	205.84	3,982	5,037	61,810	112,600	1,542	2,133	2,428	3,307			
			8.0	239.92	3,948	5,178	63,880	116,400	1,777	2,458	2,807	3,818			
			9.0	273.95	3,914	5,318	65,930	120,100	2,009	2,778	3,180	4,321			
			10.0	307.91	3,880	5,458	67,980	123,800	2,237	3,094	3,547	4,817			
			11.0	341.81	3,846	5,598	70,010	127,500	2,464	3,407	3,910	5,306			
			12.0	375.64	3,812	5,737	72,040	131,200	2,687	3,717	4,268	5,787			
			13.0	409.41	3,778	5,876	74,050	134,900	2,909	4,023	4,622	6,262			
			14.0	443.12	3,745	6,016	76,050	138,500	3,129	4,328	4,972	6,730			
			15.0	476.77	3,711	6,154	78,040	142,100	3,348	4,630	5,318	7,191			
			16.0	510.35	3,677	6,293	80,020	145,800	3,564	4,929	5,660	7,646			
			17.0	543.87	3,644	6,431	81,990	149,300	3,781	5,227	5,997	8,094			
			18.0	577.33	3,610	6,569	83,940	152,900	3,993	5,523	6,331	8,536			
			19.0	610.73	3,577	6,707	85,890	156,400	4,206	5,817	6,660	8,972			
			20.0	644.06	3,544	6,845	87,830	160,000	4,417	6,109	6,986	9,401			
			21.0	677.33	3,510	6,981	89,920	163,500	4,627	6,400	7,307	9,824			
			22.0	710.53	3,477	7,118	91,680	167,000	4,837	6,689	7,625	10,240			
			160	II	6.0	171.69	4,519	5,399	63,760	116,100	1,304	1,803	2,044	2,787	
					7.0	205.84	4,485	5,540	65,840	119,900	1,543	2,134	2,428	3,307	
					8.0	239.92	4,451	5,681	67,910	123,700	1,778	2,459	2,807	3,818	
					9.0	273.95	4,416	5,820	69,960	127,400	2,010	2,780	3,180	4,321	
					10.0	307.91	4,383	5,961	72,010	131,200	2,240	3,097	3,547	4,817	
	11.0	341.81			4,349	6,101	74,040	134,900	2,466	3,411	3,910	5,305			
	12.0	375.64			4,315	6,240	76,070	138,600	2,691	3,722	4,268	5,787			
	13.0	409.41			4,281	6,379	78,080	142,200	2,914	4,029	4,622	6,262			
	14.0	443.12			4,247	6,518	80,080	145,900	3,134	4,334	4,972	6,732			
	15.0	476.77			4,214	6,657	82,070	149,500	3,353	4,637	5,317	7,196			
	16.0	510.35			4,180	6,796	84,050	153,100	3,570	4,938	5,659	7,654			
	17.0	543.87			4,147	6,934	86,020	156,700	3,786	5,236	5,998	8,106			
	18.0	577.33			4,113	7,072	87,970	160,200	4,001	5,533	6,332	8,552			
	19.0	610.73			4,080	7,210	89,920	163,800	4,214	5,828	6,663	8,993			
	20.0	644.06			4,046	7,347	91,860	167,300	4,426	6,121	6,991	9,428			
	21.0	677.33			4,013	7,484	93,780	170,800	4,637	6,412	7,315	9,858			
	22.0	710.53			3,980	7,621	95,710	174,300	4,846	6,702	7,636	10,280			
	1,200	150			I	6.0	187.40	4,723	5,683	82,650	138,000	1,562	2,161	2,444	3,335
						7.0	224.69	4,686	5,838	85,360	142,500	1,849	2,557	2,905	3,959
						8.0	261.91	4,648	5,990	88,060	147,000	2,131	2,946	3,359	4,573
						9.0	299.08	4,611	6,144	90,740	151,500	2,408	3,331	3,807	5,178
						10.0	336.18	4,574	6,297	93,410	155,900	2,683	3,710	4,249	5,774
			11.0	373.22		4,537	6,450	96,060	160,400	2,954	4,086	4,686	6,362		
			12.0	410.20		4,500	6,602	98,700	164,800	3,223	4,457	5,117	6,943		
			13.0	447.11		4,463	6,754	101,300	169,100	3,489	4,826	5,543	7,516		
			14.0	483.96		4,426	6,906	103,900	173,500	3,753	5,191	5,965	8,081		
			15.0	520.75		4,390	7,059	106,500	177,800	4,015	5,553	6,382	8,639		
16.0			557.48	4,353		7,210	109,100	182,100	4,276	5,913	6,795	9,189			
17.0			594.14	4,316		7,361	111,700	186,500	4,534	6,270	7,203	9,732			
18.0			630.74	4,280		7,513	114,300	190,800	4,791	6,626	7,606	10,270			
19.0			667.27	4,243		7,663	116,800	195,000	5,046	6,978	8,005	10,800			
20.0			703.75	4,207		7,814	119,300	199,200	5,300	7,329	8,400	11,320			
21.0			740.16	4,170		7,963	121,900	203,500	5,552	7,679	8,790	11,830			
22.0			776.51	4,134		8,114	124,400	207,700	5,803	8,026	9,175	12,340			
170			II	6.0		187.40	5,276	6,236	88,010	146,900	1,562	2,161	2,444	3,335	
				7.0		224.69	5,239	6,391	90,700	151,500	1,849	2,558	2,905	3,959	
				8.0		261.91	5,201	6,543	93,420	156,000	2,132	2,948	3,359	4,578	
				9.0		299.08	5,164	6,697	96,100	160,400	2,410	3,333	3,807	5,178	
				10.0		336.18	5,127	6,850	98,770	164,900	2,685	3,714	4,249	5,774	
		11.0		373.22	5,090	7,003	101,400	169,300	2,958	4,090	4,685	6,361			
		12.0		410.20	5,053	7,155	104,100	173,800	3,227	4,463	5,117	6,942			
		13.0		447.11	5,016	7,307	106,700	178,100	3,494	4,832	5,543	7,515			
		14.0		483.96	4,979	7,459	109,300	182,500	3,759	5,199	5,964	8,082			
		15.0		520.75	4,943	7,612	111,900	186,800	4,022	5,562	6,381	8,642			
		16.0		557.48	4,906	7,763	114,500	191,200	4,283	5,923	6,794	9,195			
		17.0		594.14	4,869	7,914	117,100	195,500	4,542	6,281	7,202	9,742			
		18.0		630.74	4,833	8,066	119,600	199,700	4,799	6,637	7,607	10,280			
		19.0		667.27	4,796	8,216	122,200	204,000	5,055	6,991	8,007	10,820			
		20.0		703.75	4,760	8,367	124,700	208,200	5,310	7,343	8,403	11,340			
		21.0		740.16	4,723	8,516	127,200	212,400	5,563	7,693	8,796	11,860			
		22.0		776.51	4,687	8,667	129,700	216,500	5,815	8,041	9,184	12,380			

(注) 長さは5~15mである。外径、厚さ、鋼管厚以外の数値は、腐食代1mmを考慮した値。